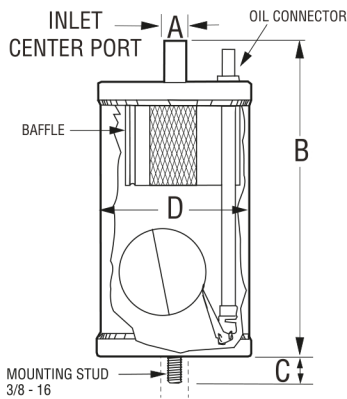


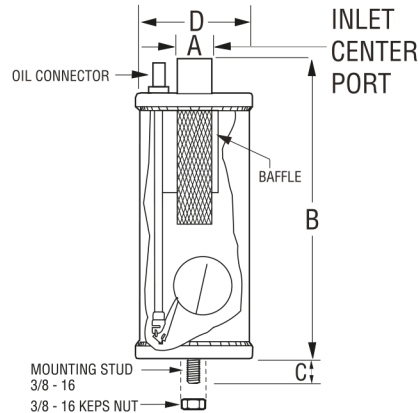
**900 Series: Hermetic**

Compatible with HCs and Subcritical CO<sub>2</sub>

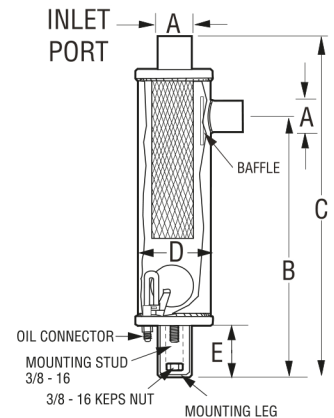
Maximum Working Pressure: 44.8 bar (650 PSI)



900, 900-1, 901



902, 903



904, 905

**Models 900, 900-1, 901**

| Part #    | Model # | Oil Conn. Size           | A Dim.                | B Dim.           | C Dim.        | D Dim.       | Oil Charge Amt.   |
|-----------|---------|--------------------------|-----------------------|------------------|---------------|--------------|-------------------|
| 090000000 | 900     | 1/4" ODS*<br>6.35 mm     | 3/8" ODS*<br>9.53 mm  | 8-1/4"<br>210 mm | 3/4"<br>19 mm | 4"<br>102 mm | 15 oz.<br>445 ml. |
| 090081000 | 900-1   | 1/4" 90° ODS*<br>6.35 mm | 3/8" ODS*<br>9.53 mm  | 8-1/4"<br>210 mm | 3/4"<br>19 mm | 4"<br>102 mm | 15 oz.<br>445 ml. |
| 090100000 | 901     | 1/4" ODS*<br>6.35 mm     | 1/2" ODS*<br>12.70 mm | 8-3/8"<br>213 mm | 3/4"<br>19 mm | 4"<br>102 mm | 15 oz.<br>445 ml. |

**Models 902, 903**

| Part #    | Model # | Oil Conn. Size       | A Dim.                | B Dim.             | C Dim.        | D Dim.       | Oil Charge Amt.   |
|-----------|---------|----------------------|-----------------------|--------------------|---------------|--------------|-------------------|
| 090200000 | 902     | 1/4" ODS*<br>6.35 mm | 5/8" ODS*<br>15.88 mm | 10-9/16"<br>268 mm | 3/4"<br>19 mm | 4"<br>102 mm | 15 oz.<br>445 ml. |
| 090300000 | 903     | 1/4" ODS*<br>6.35 mm | 7/8" ODS*<br>22.23 mm | 10-7/8"<br>276 mm  | 3/4"<br>19 mm | 4"<br>102 mm | 15 oz.<br>445 ml. |

**Models 904, 905**

| Part #    | Model # | Oil Conn. Size       | A Dim.                  | B Dim.            | C Dim.            | D Dim.       | E Dim.      | Oil Charge Amt.   |
|-----------|---------|----------------------|-------------------------|-------------------|-------------------|--------------|-------------|-------------------|
| 090400000 | 904     | 1/4" ODS*<br>6.35 mm | 1-1/8" ODS*<br>28.58 mm | 15-1/8"<br>384 mm | 18-3/8"<br>467 mm | 4"<br>102 mm | 3"<br>76 mm | 16 oz.<br>475 ml. |
| 090500000 | 905     | 1/4" ODS*<br>6.35 mm | 1-3/8" ODS*<br>34.93 mm | 15-1/8"<br>384 mm | 18-3/8"<br>467 mm | 4"<br>102 mm | 3"<br>76 mm | 16 oz.<br>475 ml. |

\* ODS = Outside Diameter Solder

THE CONNECTIONS ON THE OIL SEPARATOR MUST BE THE SAME SIZE AS (OR LARGER THAN) THE DISCHARGE LINE SIZE.

See page 19 for sizing.